



**MASON INDUSTRIES, Inc.**

Manufacturers of Vibration Control Products

350 Rabro Drive      2101 W. Crescent Ave., Suite D  
 Hauppauge, NY 11788      Anaheim, CA 92801  
 631/348-0282      714/535-2727  
 FAX 631/348-0279      FAX 714/535-5738

Info@Mason-Ind.com • www.Mason-Ind.com

**RESTRAINED  
 SINGLE AND MULTIPLE  
 SPRING MOUNTS**

TYPE  
**SLR**

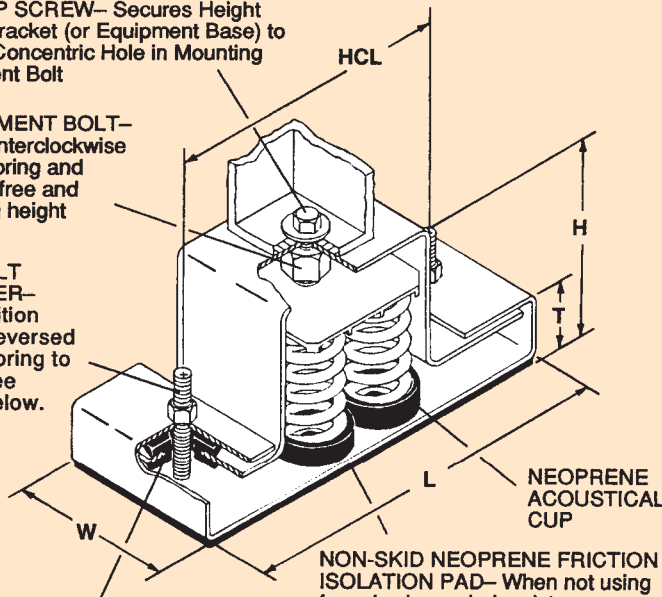
SLR-220 BULLETIN

**1" Deflection A SPRING SERIES  
 SLR SINGLE and MULTIPLE SPRING FORMED RESTRAINED MOUNTS**

"CS" CAP SCREW— Secures Height Saving Bracket (or Equipment Base) to Tapped Concentric Hole in Mounting Adjustment Bolt

ADJUSTMENT BOLT— Turn counterclockwise to load spring and maintain free and operating height

"BD" BOLT DIAMETER— Bolt Position can be reversed for anchoring to floor. See Detail Below.



NEOPRENE VERTICAL LIMIT STOPS— Out of contact during normal operation

NON-SKID NEOPRENE FRICTION ISOLATION PAD— When not using for seismic or wind resistance, bolting to floor is not necessary. Pad can be removed if mounts are welded in position. See Detail Below.

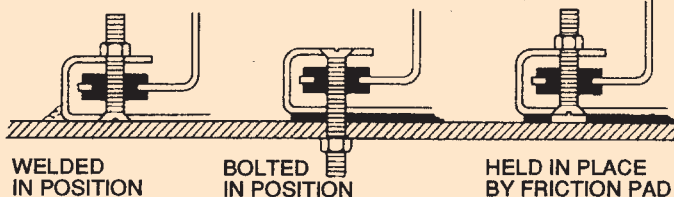
Illustration shows a 4 spring SLR-4A. SLR-A has 1 spring and SLR-2 has 2 springs.

Mounts are galvanized.

**TYPE SLR DIMENSIONS (inches)**

Size	H	L	T	W	BD	CS	HCL
SLR-A	5 1/8	8 3/4	1 5/8	2 1/2	3/8	3/8x1	6
SLR-2A	5 1/8	11 5/8	1 3/4	2 1/2	3/8	3/8x1	8 3/4
SLR-4A	5 1/8	11 1/8	1 3/4	4 1/2	1/2	1/2x1 1/4	8

**OPTIONAL MOUNT INSTALLATIONS**



**SPRING DATA**

Spring OD	Free HT.	Ratio Kx/Ky	Ratio OD/OH
1 3/4	3-3 3/8	0.50-0.90	0.74-1.25

**TYPE SLR RATINGS**

Size	Rated Capacity (lbs)	Rated Defl (in)	Mount Constant (lbs/in)	Spring Color	Seismic G Rating	MEFA (ft²)
SLR-A-45†	45	1.60	28	Blue	17.8	27
SLR-A-75†	75	1.50	50	Orange	10.7	27
SLR-A-125†	125	1.33	94	Brown	6.4	27
SLR-A-200†	200	1.15	174	Black	4.0	27
SLR-A-310†	310	1.00	310	Yellow	2.6	27
SLR-A-400†	400	1.00	400	Green	2.0	27
SLR-A-510†	510	1.00	510	Red	1.6	27
SLR-A-625†	625	1.00	625	White	1.3	27
SLR-2A-620†	620	1.00	620	Yellow	1.6	33
SLR-2A-800†	800	1.00	800	Green	1.3	33
SLR-2A-1020†	1020	1.00	1020	Red	1.0	33
SLR-2A-1250†	1250	1.00	1250	White	0.8	33
SLR-4A-1240†	1240	1.00	1240	Yellow	1.6	67
SLR-4A-1600†	1600	1.00	1600	Green	1.3	67
SLR-4A-2040†	2040	1.00	2040	Red	1.0	67
SLR-4A-2500†	2500	1.00	2500	White	0.8	67

†SLR-A, -2A & -4A have Calif. OSHPD Anchorage Preapproval Number R-0195.

All springs have additional travel to solid equal to 50% of the rated deflection.

Solid Spring Height = Free Height minus 1.5 times Rated Deflection.

Housing load ratings (expressed in max. G's and square feet of face area) are based on tests with bolted connections to steel top and bottom. SLR housings require uniform support under entire base plate. Tests were run with one bolt in top plate.

MEFA - Maximum Allowable Equipment Face Area per Mount (ft²) To determine safety of an installation in a 100 mph wind (30 psf) divide the largest face area by the total number of mountings. Installation is safe if AREA No. of MOUNTS ≤ MEFA.

Example: Tower Face = 6' x 10' = 60 Square Feet. Weight = 4,000 lbs Use: 4- SLR-2A-1020 MEFA = 33; Area/No. of Mounts = 60/4 = 15 < 33 Installation is safe in shear.

When towers are tall and narrow, overturning moments should be checked as well.

## 1" Deflection B & C SPRING SERIES SLR SINGLE and MULTIPLE SPRING WELDED RESTRAINED MOUNTS

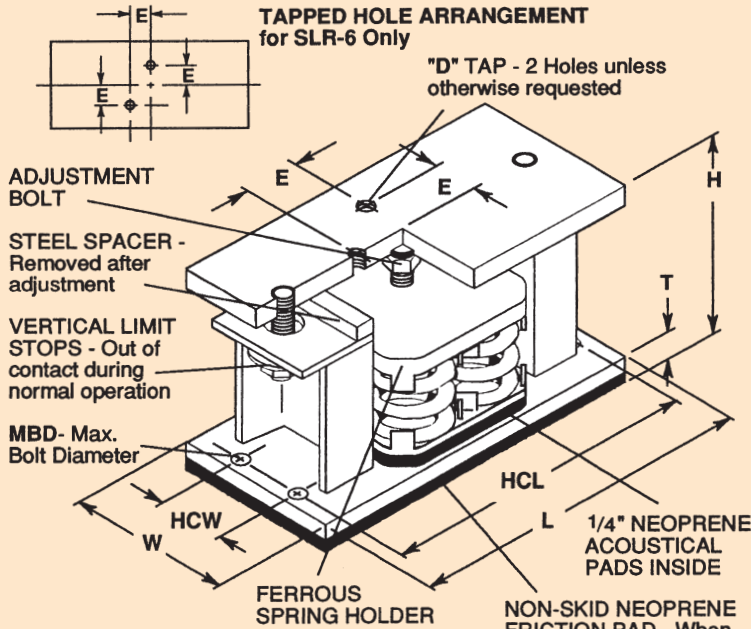


Illustration shows a 4 spring SLR-4. SLR-B & SLR-1 have 1 spring and SLR-2, SLR-6, SLR-9, SLR-12 & SLR-16 have 2, 6, 9, 12 & 16 springs respectively. SLR-1 and multiple spring mounts have C size springs.

### SPRING DATA

Spring Size	Free OD	Free HT.	Ratio Kx/Ky	Ratio OD/OH
B	23/8	4	0.70-0.90	0.80-1.25
1-16	27/8	4 1/8	0.90-1.10	0.92

All springs have additional travel to solid equal to 50% of the rated deflection.

Solid Spring Height = Free Height minus 1.5 times Rated Deflection.

### TYPE SLR DIMENSIONS (Inches)

Size	D	E	L	W	H	T	MBD	HCW	HCL
SLR-B	5/8	13/8	10 1/4	4	7 1/2	1/2	5/8	23/4	9
SLR-1	5/8	13/8	10 1/4	4	7 1/2	1/2	5/8	23/4	9
SLR-2	5/8	13/8	15	4	7 1/2	5/8	5/8	23/4	13 3/4
SLR-4	5/8	13/8	13 1/2	6	7 1/2	1/2	5/8	23/4	12 1/4
SLR-6	3/4	13/4	17 3/4	6	8 3/8	5/8	3/4	3	15 3/4
SLR-9	3/4	13/4	16	9	8 3/8	5/8	3/4	3	14
SLR-12	3/4	13/4	19	9	9 3/4	3/4	3/4	3	17
SLR-16	3/4	13/4	23 1/2	13	9 3/4	3/4	3/4	3 1/2	21 1/2

### TYPE SLR RATINGS

Size	Rated Capacity (lbs)	Rated Defl (in)	Mount Constant (lbs/in)	Spring Color/Stripe	Seismic G Rating	MEFA (ft <sup>2</sup> )
SLR-B-65 <sup>†</sup>	65	2.10	31	Brown	39.2	85
SLR-B-85 <sup>†</sup>	85	2.10	40	White/Black	30.0	85
SLR-B-115 <sup>†</sup>	115	2.00	57	Silver	22.2	85
SLR-B-150 <sup>†</sup>	150	2.00	75	Orange	17.0	85
SLR-B-280 <sup>†</sup>	280	1.60	174	Green	9.1	85
SLR-B-450 <sup>†</sup>	450	1.31	344	Red	5.7	85
SLR-B-750 <sup>†</sup>	750	1.12	670	White	3.4	85
SLR-B-1000 <sup>†</sup>	1000	1.00	1000	Blue	2.6	85
SLR-1-1000 <sup>†</sup>	1000	1.00	1000	Black	2.6	85
SLR-1-1350 <sup>†</sup>	1350	1.00	1350	Yellow	1.9	85
SLR-1-1750 <sup>†</sup>	1750	1.00	1750	Black*	1.5	85
SLR-1-2100 <sup>†</sup>	2100	1.00	2100	Yellow*	1.2	85
SLR-1-2385 <sup>†</sup>	2385	1.00	2385	Yellow**	1.1	85
SLR-1-2650 <sup>†</sup>	2650	1.00	2650	Red*	1.0	85
SLR-1-2935 <sup>†</sup>	2935	1.00	2935	Red**	0.9	85
SLR-2-2700 <sup>†</sup>	2700	1.00	2700	Yellow	1.1	102
SLR-2-3500 <sup>†</sup>	3500	1.00	3500	Black*	0.9	102
SLR-2-4200 <sup>†</sup>	4200	1.00	4200	Yellow*	0.7	102
SLR-2-4770 <sup>†</sup>	4770	1.00	4770	Yellow**	0.6	102
SLR-4-5400 <sup>†</sup>	5400	1.00	5400	Yellow	0.7	125
SLR-4-7000 <sup>†</sup>	7000	1.00	7000	Black*	0.5	125
SLR-4-8400 <sup>†</sup>	8400	1.00	8400	Yellow*	0.4	125
SLR-4-9540 <sup>†</sup>	9540	1.00	9540	Yellow**	0.4	125
SLR-4-10600 <sup>†</sup>	10600	1.00	10600	Red*	0.4	125
SLR-6-12600	12600	1.00	12600	Yellow*	0.5	294
SLR-6-14310	14310	1.00	14310	Yellow**	0.5	294
SLR-6-15900	15900	1.00	15900	Red*	0.4	294
SLR-6-17610	17610	1.00	17610	Red**	0.4	294
SLR-9-18900	18900	1.00	18900	Yellow*	0.6	400
SLR-9-21465	21465	1.00	21465	Yellow**	0.5	400
SLR-9-23850	23850	1.00	23850	Red*	0.5	400
SLR-12-25200	25200	1.00	25200	Yellow*	0.4	318
SLR-12-28620	28620	1.00	28620	Yellow**	0.3	318
SLR-12-31800	31800	1.00	31800	Red*	0.3	318
SLR-16-33600	33600	1.00	33600	Yellow*	0.2	254
SLR-16-38160	38160	1.00	38160	Yellow**	0.2	254

\*with RED core spring \*\*with GREEN core spring

<sup>†</sup>SLR-B, -1, -2 & -4 have Calif. OSHPD Anchorage Preapproval Number R-0194.

Housing load ratings (expressed in max. G's and square feet of face area) are based on tests with bolted connections to steel top and bottom. SLR housings require uniform support under entire base plate. Tests were run with one bolt in top plate.

MEFA - Maximum Allowable Equipment Face Area per Mount (ft<sup>2</sup>) To determine safety of an installation in a 100 mph wind (30 psf) divide the largest face area by the total number of mountings. Installation is safe if AREA No. of MOUNTS ≤ MEFA.

Example: Tower Face = 12' x 20' = 240 Square Feet. Weight = 10,000 lbs  
Use: 4- SLR-1-2935 MEFA = 125; Area/No. of Mounts = 240/4 = 60 < 125 Installation is safe in shear.

When towers are tall and narrow, overturning moments should be checked as well.

**1" Deflection A SPRING SERIES  
SLRW SINGLE and MULTIPLE SPRING FORMED RESTRAINED MOUNTS**

NOTE - Do not use for seismic or wind load applications.

ADJUSTMENT BOLT-  
Turn counterclockwise  
to load spring and  
maintain free and  
operating height

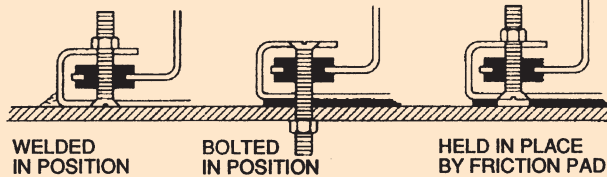
"BD" BOLT  
DIAMETER-  
Bolt Position  
can be reversed  
for anchoring to  
floor. See  
Detail Below.

NEOPRENE VERTICAL LIMIT  
STOPS- Out of contact during  
normal operation

Mounts are galvanized.

Illustration shows a 4 spring SLRW-4A. SLRW-A has 1 spring  
and SLRW-2 has 2 springs respectively.

**OPTIONAL MOUNT INSTALLATIONS**



**SPRING DATA**

Spring OD	Free HT.	Ratio Kx/Ky	Ratio OD/OH
1 3/4	3-3 3/8	0.50-0.90	0.74-1.25

**TYPE SLRW RATINGS**

Size	Rated Capacity (lbs)	Rated Defl (in)	Mount Constant (lbs/in)	Spring Color
SLRW-A-45	45	1.60	28	Blue
SLRW-A-75	75	1.50	50	Orange
SLRW-A-125	125	1.33	94	Brown
SLRW-A-200	200	1.15	174	Black
SLRW-A-310	310	1.00	310	Yellow
SLRW-A-400	400	1.00	400	Green
SLRW-A-510	510	1.00	510	Red
SLRW-A-625	625	1.00	625	White
SLRW-2A-620	620	1.00	620	Yellow
SLRW-2A-800	800	1.00	800	Green
SLRW-2A-1020	1020	1.00	1020	Red
SLRW-2A-1250	1250	1.00	1250	White
SLRW-4A-1240	1240	1.00	1240	Yellow
SLRW-4A-1600	1600	1.00	1600	Green
SLRW-4A-2040	2040	1.00	2040	Red
SLRW-4A-2500	2500	1.00	2500	White

**TYPE SLRW DIMENSIONS** BD- Bolt Diameter

Size	L	W	H	T	BD	HCL
SLRW-A	8 3/4	2 1/2	5 3/8	1 5/8	3/8	6
SLRW-2A	11 5/8	2 1/2	5 3/8	1 3/4	3/8	8 3/4
SLRW-4A	11 1/8	4 1/2	5 3/8	1 3/4	1/2	8

All springs have additional travel to solid equal to 50% of the rated deflection.

Solid Spring Height = Free Height minus 1.5 times Rated Deflection.

**1" Deflection B & C SPRING SERIES  
SLRW SINGLE and MULTIPLE SPRING WELDED RESTRAINED MOUNTS**

NOTE - Do not use for seismic or wind load applications.

ADJUSTMENT BOLT

STEEL SPACER -  
Removed after  
adjustment

VERTICAL LIMIT  
STOPS - Out of  
contact during  
normal operation

MBD- Max.  
Bolt Diameter

**SPRING DATA**

Spring Size	Free OD	Free HT.	Ratio Kx/Ky	Ratio OD/OH
B	2 3/8	4	0.70-0.90	0.80-1.25
1-16	2 7/8	4 1/8	0.90-1.10	0.92

**TYPE SLRW DIMENSIONS (Inches)**

Size	L	W	H	T	MBD	HCW	HCL
SLRW-B	10 1/4	4	7 3/4	1/2	5/8	2 3/4	9
SLRW-1	10 1/4	4	7 3/4	1/2	5/8	2 3/4	9
SLRW-2	15	4	7 3/4	5/8	5/8	2 3/4	13 3/4
SLRW-4	13 1/2	6	7 3/4	1/2	5/8	2 3/4	12 1/4
SLRW-6	17 3/4	6	8 5/8	5/8	3/4	3	15 3/4
SLRW-9	16	9	8 5/8	5/8	3/4	3	14
SLRW-12	19	9	10	3/4	3/4	3	17
SLRW-16	23 1/2	13	10	3/4	3/4	3 1/2	21 1/2

Illustration shows a 4 spring SLRW-4. SLRW-B & -1 have 1 spring; SLRW-2, -6, -9, -12 & -16 have 2, 6, 9, 12 and 16 springs respectively. SLR-1 and multiple spring mounts have C size springs.

All springs have additional travel to solid equal to 50% of the rated deflection.

Solid Spring Height = Free Height minus 1.5 times Rated Deflection.

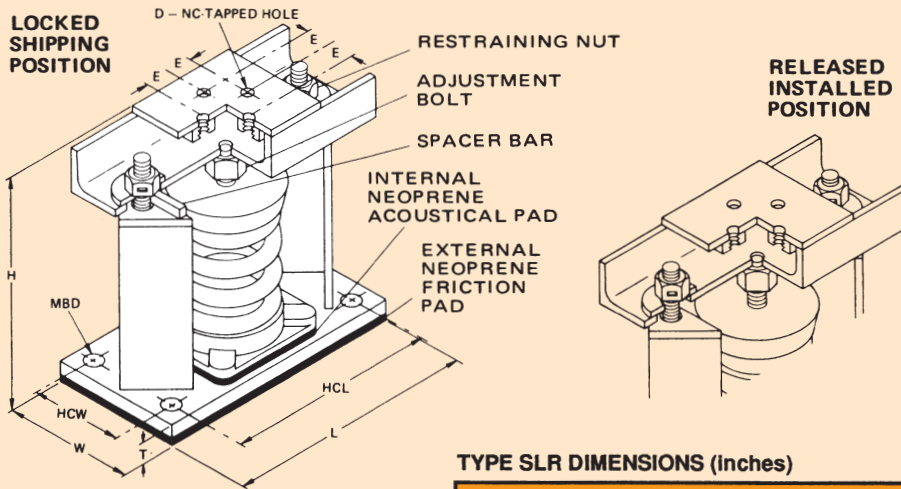
**TYPE SLRW RATINGS**

Size	Rated Capacity (lbs)	Rated Defl (in)	Mount Constant (lbs/in)	Spring Color/Stripe
SLRW-B-65	65	2.10	31	Brown
SLRW-B-85	85	2.10	40	White/Black
SLRW-B-115	115	2.00	57	Silver
SLRW-B-150	150	2.00	75	Orange
SLRW-B-280	280	1.60	174	Green
SLRW-B-450	450	1.31	344	Red
SLRW-B-750	750	1.12	670	White
SLRW-B-1000	1000	1.00	1000	Blue
SLRW-1-1000	1000	1.00	1000	Black
SLRW-1-1350	1350	1.00	1350	Yellow
SLRW-1-1750	1750	1.00	1750	Black*
SLRW-1-2100	2100	1.00	2100	Yellow*
SLRW-1-2385	2385	1.00	2385	Yellow**
SLRW-1-2650	2650	1.00	2650	Red*
SLRW-1-2935	2935	1.00	2935	Red**
SLRW-2-2700	2700	1.00	2700	Yellow
SLRW-2-3500	3500	1.00	3500	Black*
SLRW-2-4200	4200	1.00	4200	Yellow*
SLRW-2-4770	4770	1.00	4770	Yellow**
SLRW-4-5400	5400	1.00	5400	Yellow
SLRW-4-7000	7000	1.00	7000	Black*
SLRW-4-8400	8400	1.00	8400	Yellow*
SLRW-4-9540	9540	1.00	9540	Yellow**
SLRW-4-10600	10600	1.00	10600	Red*
SLRW-6-12600	12600	1.00	12600	Yellow*
SLRW-6-14310	14310	1.00	14310	Yellow**
SLRW-6-15900	15900	1.00	15900	Red*
SLRW-6-17610	17610	1.00	17610	Red**
SLRW-9-18900	18900	1.00	18900	Yellow*
SLRW-9-21465	21465	1.00	21465	Yellow**
SLRW-9-23850	23850	1.00	23850	Red*
SLRW-12-25200	25200	1.00	25200	Yellow*
SLRW-12-28620	28620	1.00	28620	Yellow**
SLRW-12-31800	31800	1.00	31800	Red*
SLRW-16-33600	33600	1.00	33600	Yellow*
SLRW-16-38160	38160	1.00	38160	Yellow**

\*with RED core spring \*\*with GREEN core spring



**2" Deflection 100 SPRING SERIES  
SLR SINGLE SPRING WELDED RESTRAINED MOUNTS**



**TYPE SLR RATINGS**

Size	Rated Capacity (lbs)	Rated Defl (in)	Mount Constant (lbs/in)	Max G Ratings
101	125	2.50	50	5.6
102	200	2.50	80	3.5
103	310	2.50	125	2.3
104	500	2.50	200	1.4
105	740	2.40	310	0.9
106	1050	2.10	500	0.7
107	1400	2.00	700	0.5
108	1660	2.05	810	1.0
109	2250	2.00	1125	0.7
110	3000	2.00	1500	1.3
111	4000	2.00	2000	1.0
112	5300	2.00	2665	0.6
113	7100	2.00	3550	0.5
114	9300	2.00	4650	0.5
115	12600	2.00	6300	0.4

SLR-101 thru -115 have Calif. OSHPD Anchorage Preapproval Number R-0204 pending.

**TYPE SLR DIMENSIONS (inches)**

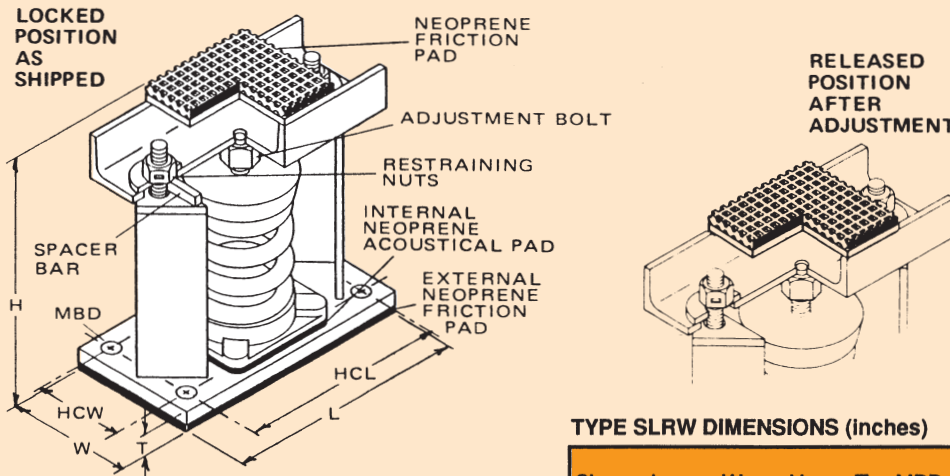
Size	L	W	H	T	MBD	HCW	HCL	D	E	Spring		Spring Color/Stripe
										OD	HT	
101	9	4 1/2	10 1/4	3/8	1/2	3 1/4	7 3/4	1/2	1 1/8	3 3/4	5 3/4	Purple
102	9	4 1/2	10 1/4	3/8	1/2	3 1/4	7 3/4	1/2	1 1/8	3 3/4	5 3/4	Brown
103	9	4 1/2	10 1/4	3/8	1/2	3 1/4	7 3/4	1/2	1 1/8	3 3/4	5 3/4	Pink
104	9	4 1/2	10 1/4	3/8	1/2	3 1/4	7 3/4	1/2	1 1/8	3 3/4	5 3/4	Green
105	9	4 1/2	10 1/4	3/8	1/2	3 1/4	7 3/4	1/2	1 1/8	3 3/4	5 3/4	Red
106	9	4 1/2	10 1/4	3/8	1/2	3 1/4	7 3/4	1/2	1 1/8	3 3/4	5 7/8	White
107	9	4 1/2	10 1/4	3/8	1/2	3 1/4	7 3/4	1/2	1 1/8	3 3/4	5 7/8	Blue
108	9 3/4	5	11 1/2	3/8	1/2	3 3/4	8 1/4	5/8	1 1/8	4 1/2	6 3/4	Silver
109	9 3/4	5	11 1/2	3/8	1/2	3 3/4	8 1/4	5/8	1 1/8	4 1/2	7 1/2	Orange
110	11 1/2	5 1/2	12	1/2	1/2	3 1/2	10	5/8	1 1/8	5	7 1/2	Gray
111	11 1/2	5 1/2	12	1/2	1/2	3 1/2	10	5/8	1 1/8	5	7 1/2	Tan
112	11 1/2	7	13 7/8	1/2	5/8	4 1/2	9 1/2	5/8	1 1/4	5 1/2	8 1/2	Black
113	11 1/2	7	13 7/8	1/2	5/8	4 1/2	9 1/2	5/8	1 1/4	6	8 3/4	Yellow
114	14	8	15	1/2	5/8	4 1/2	11 3/4	3/4	1 3/8	6 3/4	10	Blue/Orange
115	14	8	15	1/2	5/8	4 1/2	11 3/4	3/4	1 3/8	6 3/4	10	Blue/Red

All springs have additional travel to solid equal to 50% of the rated deflection.

Solid Spring Height = Free Height minus 1.5 times Rated Deflection.

OD/OH = Ratio of Spring Outside Diameter to Operating Height = 0.82 - 1.15

**2" Deflection 100 SPRING SERIES  
SLRW SINGLE SPRING WELDED RESTRAINED MOUNTS**



**TYPE SLRW RATINGS**

Size	Rated Capacity (lbs)	Rated Defl (in)	Mount Constant (lbs/in)
101	125	2.50	50
102	200	2.50	80
103	310	2.50	125
104	500	2.50	200
105	740	2.40	310
106	1050	2.10	500
107	1400	2.00	700
108	1660	2.05	810
109	2250	2.00	1125
110	3000	2.00	1500
111	4000	2.00	2000
112	5300	2.00	2665
113	7100	2.00	3550
114	9300	2.00	4650
115	12600	2.00	6300

**TYPE SLRW DIMENSIONS (inches)**

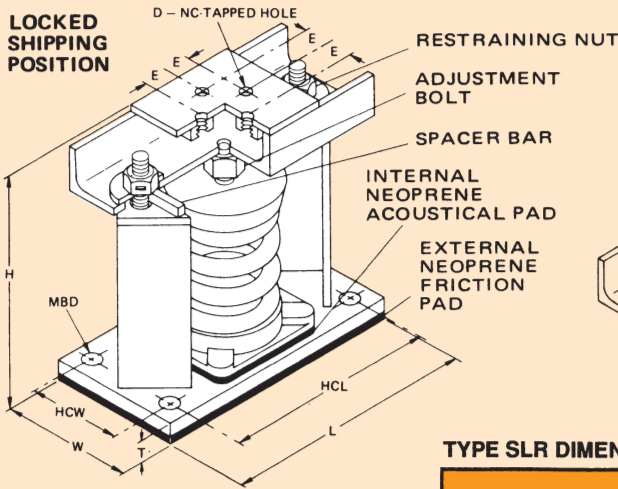
Size	L	W	H	T	MBD	HCW	HCL	Spring		Spring Color/Stripe
								OD	HT	
101	9	4 1/2	10 1/2	3/8	1/2	3 1/4	7 3/4	3 3/4	5 3/4	Purple
102	9	4 1/2	10 1/2	3/8	1/2	3 1/4	7 3/4	3 3/4	5 3/4	Brown
103	9	4 1/2	10 1/2	3/8	1/2	3 1/4	7 3/4	3 3/4	5 3/4	Pink
104	9	4 1/2	10 1/2	3/8	1/2	3 1/4	7 3/4	3 3/4	5 3/4	Green
105	9	4 1/2	10 1/2	3/8	1/2	3 1/4	7 3/4	3 3/4	5 3/4	Red
106	9	4 1/2	10 1/2	3/8	1/2	3 1/4	7 3/4	3 3/4	5 7/8	White
107	9	4 1/2	10 1/2	3/8	1/2	3 1/4	7 3/4	3 3/4	5 7/8	Blue
108	9 3/4	5	11 3/4	3/8	1/2	3 3/4	8 1/4	4 1/2	6 3/4	Silver
109	9 3/4	5	11 3/4	3/8	1/2	3 3/4	8 1/4	4 1/2	7 1/2	Orange
110	11 1/2	5 1/2	12 1/4	1/2	1/2	3 1/2	10	5	7 1/2	Gray
111	11 1/2	5 1/2	12 1/4	1/2	1/2	3 1/2	10	5	7 1/2	Tan
112	11 1/2	7	14 1/8	1/2	5/8	4 1/2	9 1/2	5 1/2	8 1/2	Black
113	11 1/2	7	14 1/8	1/2	5/8	4 1/2	9 1/2	6	8 3/4	Yellow
114	14	8	15 1/4	1/2	5/8	4 1/2	11 3/4	6 3/4	10	Blue/Orange
115	14	8	15 1/4	1/2	5/8	4 1/2	11 3/4	6 3/4	10	Blue/Red

NOTE- SLRW Mounts are not to be used in seismic or wind load applications.

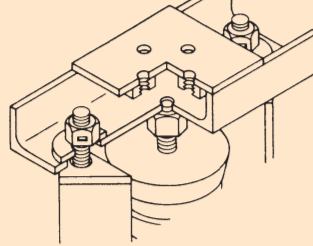
All springs have additional travel to solid equal to 50% of the rated deflection.  
Solid Spring Height = Free Height minus 1.5 times Rated Deflection.

OD/OH = Ratio of Spring Outside Diameter to Operating Height = 0.82 - 1.15

## 3" Deflection 100 SPRING SERIES SLR SINGLE SPRING WELDED RESTRAINED MOUNTS



RELEASED  
INSTALLED  
POSITION



### TYPE SLR RATINGS

Size	Rated Capacity (lbs)	Rated Defl (in)	Mount Constant (lbs/in)	Max G Ratings
126	195	3.25	60	3.6
127	280	3.25	85	2.5
128	390	3.25	120	1.8
129	520	3.25	160	3.1
130	710	3.25	220	2.3
131	940	3.25	290	1.7
132	1280	3.25	395	3.1
133	1770	3.25	545	1.8
134	2490	3.25	765	1.3
135	3300	3.25	1000	1.0
136	4500	3.25	1370	1.1
137	6200	3.25	1900	1.1
138	8300	3.25	2560	0.8
139	11400	3.25	3500	0.4
140	15200	3.25	4685	0.5
141	20300	3.25	6245	0.5

SLR-126 thru -141 have Calif. OSHPD Anchorage Preapproval Number R-0205 pending.

### TYPE SLR DIMENSIONS (Inches)

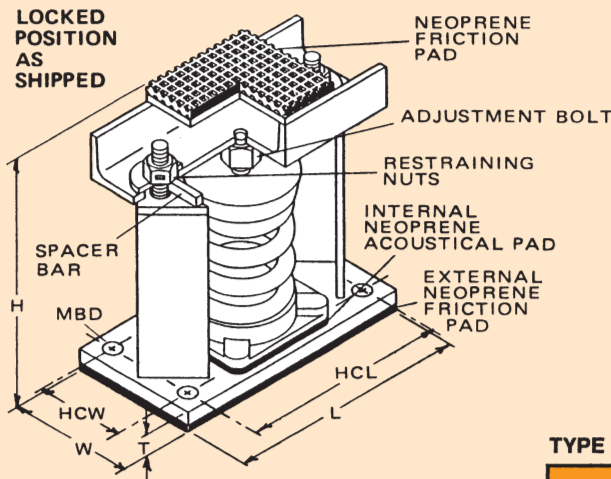
Size	L	W	H	T	MBD	HCW	HCL	D	E	Spring		Spring Color/Stripe
										OD	HT	
126	9	4 1/2	10 1/4	3/8	1/2	3 1/4	7 3/4	1/2	1 1/8	3 3/4	6 3/8	Purple
127	9	4 1/2	10 1/4	3/8	1/2	3 1/4	7 3/4	1/2	1 1/8	3 3/4	6 1/2	Brown
128	9	4 1/2	10 1/4	3/8	1/2	3 1/4	7 3/4	1/2	1 1/8	4	6 1/2	Orange
129	9 3/4	5	11 1/2	3/8	1/2	3 3/4	8 1/4	5/8	1 1/8	4	7	Green
130	9 3/4	5	11 1/2	3/8	1/2	3 3/4	8 1/4	5/8	1 1/8	4 1/2	7 1/4	Red
131	9 3/4	5	11 1/2	3/8	1/2	3 3/4	8 1/4	5/8	1 1/8	4 1/2	7 1/2	White
132	11 1/2	5 1/2	12	1/2	1/2	3 1/2	10	5/8	1 1/8	5	7 7/8	Blue
133	11 1/2	7	13 7/8	1/2	5/8	4 1/2	9 1/2	5/8	1 1/4	5 1/2	9 1/4	Black
134	11 1/2	7	13 7/8	1/2	5/8	4 1/2	9 1/2	5/8	1 1/4	5 1/2	9 1/4	Yellow
135	11 1/2	7	13 7/8	1/2	5/8	4 1/2	9 1/2	5/8	1 1/4	6	9 1/2	Gray
136	14	8	15	1/2	5/8	4 1/2	11 3/4	3/4	1 3/8	6 3/4	9 3/4	Blue/Brown
137	15 1/4	9	15 7/8	1/2	3/4	6	13	7/8	1 5/8	7 3/4	10 7/8	Blue/Orange
138	15 1/4	9	15 7/8	1/2	3/4	6	13	7/8	1 5/8	7 3/4	11	Blue/Red
139	15 1/4	9	17 1/8	1/2	3/4	6	13	7/8	1 5/8	7 3/4	12 1/4	Blue/White
140	17 3/4	10	20	1/2	7/8	7	15	1	2	8 3/4	12 3/4	Blue/Silver
141	20 1/4	10	21	5/8	1	8	17	1	2	9 1/2	13 1/2	Blue/Gray

All springs have additional travel to solid equal to 50% of the rated deflection.

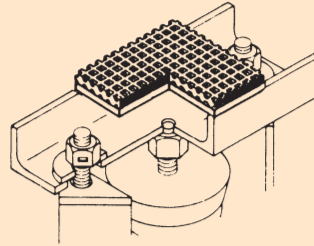
Solid Spring Height = Free Height minus 1.5 times Rated Deflection.

OD/OH = Ratio of Spring Outside Diameter to Operating Height = 0.86 - 1.36

## 3" Deflection 100 SPRING SERIES SLRW SINGLE SPRING WELDED RESTRAINED MOUNTS



RELEASED  
POSITION  
AFTER  
ADJUSTMENT



### TYPE SLRW RATINGS

Size	Rated Capacity (lbs)	Rated Defl (in)	Mount Constant (lbs/in)
126	195	3.25	60
127	280	3.25	85
128	390	3.25	120
129	520	3.25	160
130	710	3.25	220
131	940	3.25	290
132	1280	3.25	395
133	1770	3.25	545
134	2490	3.25	765
135	3300	3.25	1000
136	4500	3.25	1370
137	6200	3.25	1900
138	8300	3.25	2560
139	11400	3.25	3500
140	15200	3.25	4685
141	20300	3.25	6245

### TYPE SLRW DIMENSIONS (Inches)

Size	L	W	H	T	MBD	HCW	HCL	Spring		Spring Color/Stripe
								OD	HT	
126	9	4 1/2	10 1/2	3/8	1/2	3 1/4	7 3/4	3 3/4	6 3/8	Purple
127	9	4 1/2	10 1/2	3/8	1/2	3 1/4	7 3/4	3 3/4	6 1/2	Brown
128	9	4 1/2	10 1/2	3/8	1/2	3 1/4	7 3/4	4	6 1/2	Orange
129	9 3/4	5	11 3/4	3/8	1/2	3 3/4	8 1/4	4	7	Green
130	9 3/4	5	11 3/4	3/8	1/2	3 3/4	8 1/4	4 1/2	7 1/4	Red
131	9 3/4	5	11 3/4	3/8	1/2	3 3/4	8 1/4	4 1/2	7 1/2	White
132	11 1/2	5 1/2	12 1/4	1/2	1/2	3 1/2	10	5	7 7/8	Blue
133	11 1/2	7	14 1/8	1/2	5/8	4 1/2	9 1/2	5 1/2	9 1/4	Black
134	11 1/2	7	14 1/8	1/2	5/8	4 1/2	9 1/2	5 1/2	9 1/4	Yellow
135	11 1/2	7	14 1/8	1/2	5/8	4 1/2	9 1/2	6	9 1/2	Gray
136	14	8	15 1/4	1/2	5/8	4 1/2	11 3/4	6 3/4	9 3/4	Blue/Brown
137	15 1/4	9	16 1/8	1/2	3/4	6	13	7 3/4	10 7/8	Blue/Orange
138	15 1/4	9	16 1/8	1/2	3/4	6	13	7 3/4	11	Blue/Red
139	15 1/4	9	17 3/8	1/2	3/4	6	13	7 3/4	12 1/4	Blue/White
140	17 3/4	10	20 1/4	1/2	7/8	7	15	8 3/4	12 3/4	Blue/Silver
141	20 1/4	10	21 1/4	5/8	1	8	17	9 1/2	13 1/2	Blue/Gray

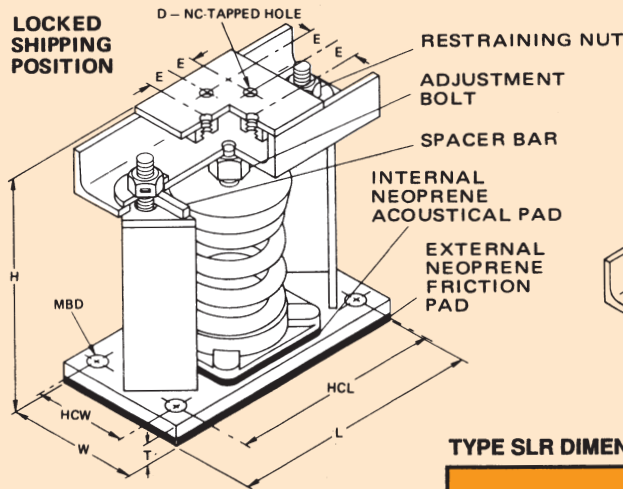
NOTE- SLRW Mounts are not to be used in seismic or wind load applications.

All springs have additional travel to solid equal to 50% of the rated deflection.

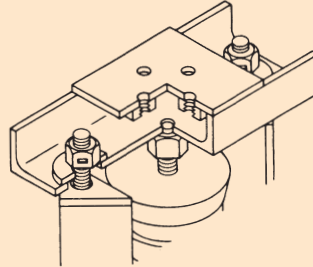
Solid Spring Height = Free Height minus 1.5 times Rated Deflection.

OD/OH = Ratio of Spring Outside Diameter to Operating Height = 0.86 - 1.36

**4" Deflection 100 SPRING SERIES  
SLR SINGLE SPRING WELDED RESTRAINED MOUNTS**



**RELEASED  
INSTALLED  
POSITION**



**TYPE SLR RATINGS**

Size	Rated Capacity (lbs)	Rated Defl (in)	Mount Constant (lbs/in)	Max G Ratings
150	240	4.38	55	16.7
151	330	4.38	75	12.1
152	420	4.38	95	9.5
153	530	4.38	120	7.5
154	680	4.38	155	4.7
155	880	4.38	200	3.6
156	1120	4.38	255	4.5
157	1420	4.38	325	3.5
158	1840	4.38	420	2.7
159	2370	4.38	540	3.0
160	3000	4.38	695	1.7
161	3900	4.38	895	1.3
162	5100	4.38	1155	1.6
163	6500	4.38	1485	1.2
164	8400	4.38	1910	1.0
165	10800	4.38	2455	1.0

SLR-150 thru -165 have Calif. OSHPD Anchorage Preapproval Number R-0206 pending.

**TYPE SLR DIMENSIONS (Inches)**

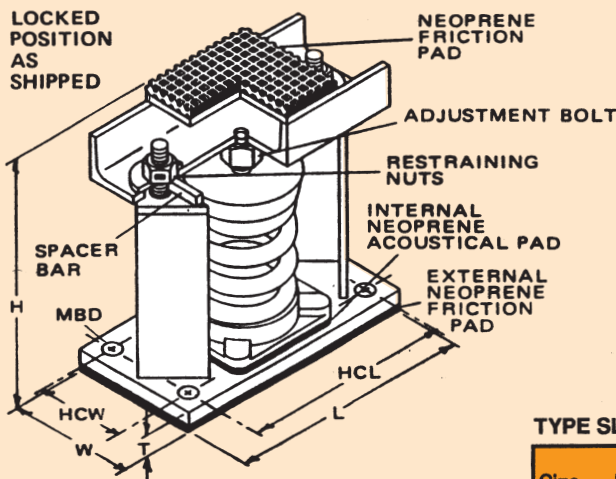
Size	L	W	H	T	MBD	HCW	HCL	D	E	Spring		Spring Color/Stripe
										OD	HT	
150	11 1/2	5 1/2	12	1/2	1/2	3 1/2	10	5/8	1 1/8	5	8 3/8	Purple
151	11 1/2	5 1/2	12	1/2	1/2	3 1/2	10	5/8	1 1/8	5	8 1/2	Brown
152	11 1/2	5 1/2	12	1/2	1/2	3 1/2	10	5/8	1 1/8	5	8 3/8	Orange
153	11 1/2	5 1/2	12	1/2	1/2	3 1/2	10	5/8	1 1/8	5	8 3/8	Green
154	11 1/2	7	13 7/8	1/2	5/8	4 1/2	9 1/2	5/8	1 1/4	6	8 7/8	Red
155	11 1/2	7	13 7/8	1/2	5/8	4 1/2	9 1/2	5/8	1 1/4	6	9 1/8	White
156	14	8	15	1/2	5/8	4 1/2	11 3/4	3/4	1 3/8	6	9 7/8	Blue
157	14	8	15	1/2	5/8	4 1/2	11 3/4	3/4	1 3/8	6	10	Black
158	14	8	15	1/2	5/8	4 1/2	11 3/4	3/4	1 3/8	6 3/4	10 3/8	Yellow
159	15 1/4	9	15 7/8	1/2	3/4	6	13	7/8	1 5/8	6 3/4	11 1/8	Gray
160	15 1/4	9	17 1/8	1/2	3/4	6	13	7/8	1 5/8	7 3/4	10 7/8	Blue/Brown
161	15 1/4	9	17 1/8	1/2	3/4	6	13	7/8	1 5/8	7 3/4	11 3/8	Blue/Orange
162	17 3/4	10	20	1/2	7/8	7	15	1	2	8 3/4	11 1/2	Blue/Red
163	17 3/4	10	20	1/2	7/8	7	15	1	2	8 3/4	13 1/4	Blue/White
164	17 3/4	10	20	1/2	7/8	7	15	1	2	8 3/4	13 3/8	Blue/Silver

All springs have additional travel to solid equal to 50% of the rated deflection.

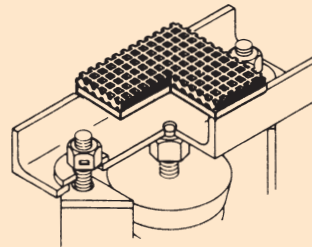
Solid Spring Height = Free Height minus 1.5 times Rated Deflection.

OD/OH = Ratio of Spring Outside Diameter to Operating Height = 0.96 - 1.33

**4" Deflection 100 SPRING SERIES  
SLRW SINGLE SPRING WELDED RESTRAINED MOUNTS**



**RELEASED  
POSITION  
AFTER  
ADJUSTMENT**



**TYPE SLRW RATINGS**

Size	Rated Capacity (lbs)	Rated Defl (in)	Mount Constant (lbs/in)
150	240	4.38	55
151	330	4.38	75
152	420	4.38	95
153	530	4.38	120
154	680	4.38	155
155	880	4.38	200
156	1120	4.38	255
157	1420	4.38	325
158	1840	4.38	420
159	2370	4.38	540
160	3000	4.38	695
161	3900	4.38	895
162	5100	4.38	1155
163	6500	4.38	1485
164	8400	4.38	1910
165	10800	4.38	2455

**TYPE SLRW DIMENSIONS (Inches)**

Size	L	W	H	T	MBD	HCW	HCL	Spring		Spring Color/Stripe
								OD	HT	
150	11 1/2	5 1/2	12 1/4	1/2	1/2	3 1/2	10	5	8 3/8	Purple
151	11 1/2	5 1/2	12 1/4	1/2	1/2	3 1/2	10	5	8 1/2	Brown
152	11 1/2	5 1/2	12 1/4	1/2	1/2	3 1/2	10	5	8 3/8	Orange
153	11 1/2	5 1/2	12 1/4	1/2	1/2	3 1/2	10	5	8 3/8	Green
154	11 1/2	7	14 1/8	1/2	5/8	4 1/2	9 1/2	6	8 7/8	Red
155	11 1/2	7	14 1/8	1/2	5/8	4 1/2	9 1/2	6	9 1/8	White
156	14	8	15 1/4	1/2	5/8	4 1/2	11 3/4	6	9 7/8	Blue
157	14	8	15 1/4	1/2	5/8	4 1/2	11 3/4	6	10	Black
158	14	8	15 1/4	1/2	5/8	4 1/2	11 3/4	6 3/4	10 3/8	Yellow
159	15 1/4	9	16 1/8	1/2	3/4	6	13	6 3/4	11 1/8	Gray
160	15 1/4	9	17 3/8	1/2	3/4	6	13	7 3/4	10 7/8	Blue/Brown
161	15 1/4	9	17 3/8	1/2	3/4	6	13	7 3/4	11 3/8	Blue/Orange
162	17 3/4	10	20 1/4	1/2	7/8	7	15	8 3/4	11 1/2	Blue/Red
163	17 3/4	10	20 1/4	1/2	7/8	7	15	8 3/4	13 1/4	Blue/White
164	17 3/4	10	20 1/4	1/2	7/8	7	15	8 3/4	13 3/8	Blue/Silver

**NOTE-** SLRW Mounts are not to be used in seismic or wind load applications.

All springs have additional travel to solid equal to 50% of the rated deflection.

Solid Spring Height = Free Height minus 1.5 times Rated Deflection.

OD/OH = Ratio of Spring Outside Diameter to Operating Height = 0.96 - 1.33

SLR & SLRW are also manufactured with 5" Deflection springs. Designs may vary from application to application. The following table provides ratings for a range of standard capacities. Please check with the factory for designs and dimensions.

Type SLR Ratings For 5" Deflection 100 Series Spring Mounts

Type	Size	Rated Capacity (lbs)	Rated Defl (in)	Mount Constant (lbs/in)	Color/Stripe	SPRING ONLY	
						OD	Free Height
5" Defl. SLR-	174	270	5.31	48	Purple	6	97/8
	175	320	5.31	58	Brown	6	101/16
	176	370	5.31	70	Orange	6	10
	177	460	5.38	85	Green	6	101/2
	178	560	5.38	104	Red	6	103/4
	179	670	5.38	126	White	63/4	111/16
	180	830	5.38	153	Blue	63/4	113/8
	181	1000	5.38	187	Black	63/4	111/8
	182	1240	5.37	229	Yellow	63/4	113/8
	183	1500	5.37	279	Gray	73/4	127/16
	184	1830	5.37	340	Pink	73/4	117/8
	185	2230	5.37	415	Silver	73/4	12
	186	2710	5.37	505	Tan	73/4	123/4
	187	3300	5.37	617	Blue/Orange	83/4	123/4
	188	4100	5.37	753	Blue/Red	83/4	133/8
	189	4900	5.37	916	Blue/White	91/16	137/16
	190	6000	5.37	1120	Blue/Yellow	91/2	145/8
	191	7300	5.37	1367	Blue/Silver	91/2	153/16
	192	9000	5.37	1670	Blue/Gray	101/4	155/8
	193	11000	5.37	2040	Blue/Tan	101/4	16
194	13300	5.37	2482	Blue/Brown	11	161/4	
195	16300	5.37	3028	Blue/Pink	113/8	171/8	
196	19800	5.37	3694	Blue/Black	115/8	18	
197	24200	5.37	4506	Blue/Green	13	191/2	
198	29000	5.27	5500	Blue/Purple	13	191/8	

All springs have additional travel to solid equal to 50% of the rated deflection.

Solid Spring Height = Free Height minus 1.5 times Rated Deflection.

OD/OH = Ratio of Spring Outside Diameter to Operating Height = 0.92 - 1.31



**MASON INDUSTRIES, INC.**

350 Rabro Drive, Hauppauge, NY 11788 • 631/348-0282 • FAX 631/348-0279  
 2101 W. Crescent Ave., Suite D • Anaheim, CA 92801 • 714/535-2727 • FAX 714/535-5738  
 Email info@Mason-Ind.com • Website www.Mason-Ind.com