



MASON INDUSTRIES, Inc.

Manufacturers of Vibration Control Products

350 Rabro Drive
Hauppauge, NY 11788
631/348-0282
FAX 631/348-0279

2101 W. Crescent Ave., Suite D
Anaheim, CA 92801
714/535-2727
FAX 714/535-5738

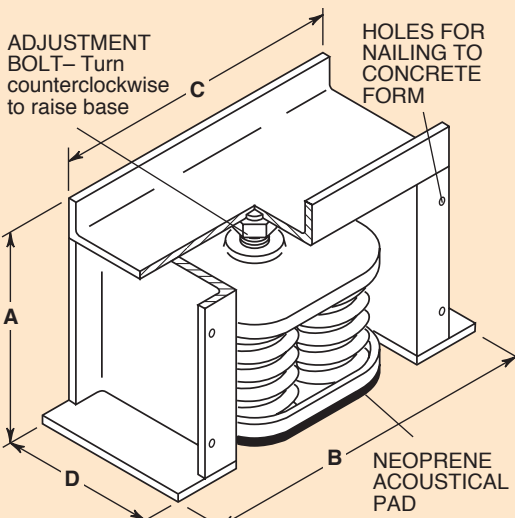
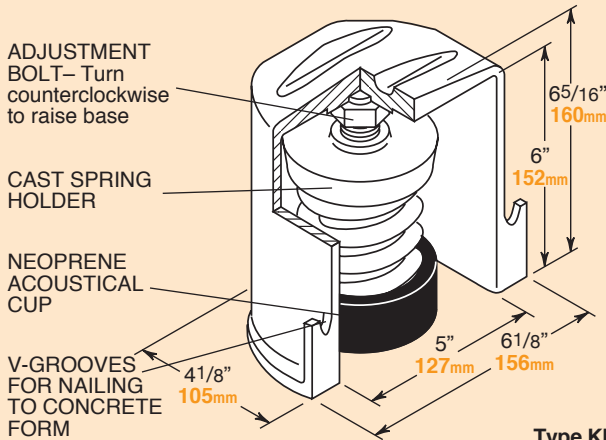
Info@Mason-Ind.com • www.Mason-Ind.com

**CONCRETE INSERTED
SINGLE and MULTIPLE
SPRING MOUNTS with
SIDE ACCESS and TOP
ACCESS and HYDRAULIC
ADJUSTMENT**

KIP, KI, KIJ

DATA SHEET DS-202-2.1

KIP 1" 25mm Deflection Side Access Concrete Inserted Single and Multiple Spring Mounts



All springs have additional travel to solid equal to 50% of the rated deflection.

Solid Spring Height = Free Height minus 1.5 times Rated Deflection.

Multiple spring mounts have C size springs. KIP-2, KIP-3, KIP-4, KIP-6, KIP-9, KIP-12 & KIP-16 have 2, 3, 4, 6, 9, 12 & 16 springs respectively.

INSTALLATION INSTRUCTIONS

- Build forms on plastic sheeting, roofing or kraft paper.
- Nail Type KIP housings inside from without spring elements. Place reinforcing and anchor bolts and pour concrete.
- Insert spring elements after unconnected equipment is in place. Raise foundation by turning all Adjustment Bolts 6 complete turns counter-clockwise. Repeat this procedure taking only 2 turns at a time until floor clearance is as certified. Shim foundation to operating height. Make certain piping is properly suspended and not adding to the load on the KIP mountings.
- When equipment is ready for operation, release shims by taking additional turns on each adjustment bolt. Equipment can now be operated.

Type KIP Ratings For 1" 25mm Deflection Single Spring Mounts (in mm)

Type	Size	Rated Capacity		Rated Defl		Mount Constant		Spring Color	SPRING ONLY	
		(lbs)	(kg)	(in)	(mm)	(lbs/in)	(kg/mm)		OD	Free Height
KIP-	B-115	115	52	2.00	51	57	1.02	Silver	23/8 60mm	4 102mm
	B-150	150	54	2.00	51	75	1.06	Orange		
	B-280	280	127	1.60	41	174	3.10	Green		
	B-450	450	204	1.31	33	344	6.18	Red		
	B-750	750	340	1.12	28	670	12.14	White		
	B-1000	1000	454	1.00	25	1000	18.16	Blue		
KIP-	C-1000	1000	454	1.00	25	1000	18.16	Black	27/8 73mm	41/8 105mm
	C-1350	1350	612	1.00	25	1350	24.48	Yellow		
	C-1750	1750	794	1.00	25	1750	31.76	Black*		
	C-2100	2100	953	1.00	25	2100	38.12	Yellow*		
	C-2385	2385	1082	1.00	25	2385	43.28	Yellow**		
	C-2650	2650	1202	1.00	25	2650	48.08	Red*		
C-2935	2935	1331	1.00	25	2935	53.24	Red**			

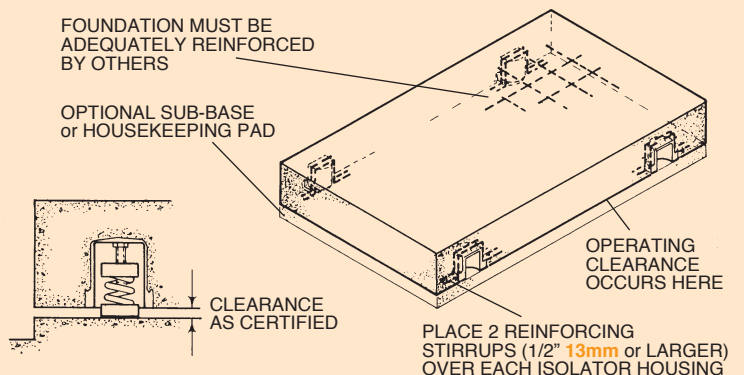
*with RED inner spring **with GREEN inner spring

Type KIP Ratings & Dimensions For 1" 25mm Deflection Multiple Spring Mounts (in mm)

Type	Size	Rated Capacity		Rated Defl		Mount Constant		Spring Color	MOUNT			
		(lbs)	(kg)	(in)	(mm)	(lbs/in)	(kg/mm)		A	B	C	D
KIP-	2-3500	3500	1588	1.00	25	3500	63.52	Black*	83/8 213	14 356	121/4 311	4 76
	2-4200	4200	1905	1.00	25	4200	76.20	Yellow*				
	2-4770	4770	2163	1.00	25	4770	86.52	Yellow**				
	3-5250	5250	2381	1.00	25	5250	95.24	Black*	83/8 213	151/2 394	133/4 349	4 76
	3-6300	6300	2858	1.00	25	6300	114.32	Yellow*				
	3-7155	7155	3245	1.00	25	7155	129.80	Yellow**				
	3-7950	7950	3606	1.00	25	7950	144.24	Red*				
	4-8400	8400	3810	1.00	25	8400	152.40	Yellow*	9 229	121/2 318	12 305	8 203
	4-9540	9540	4327	1.00	25	9540	173.08	Yellow**				
	4-10600	10600	4808	1.00	25	10600	192.32	Red*				
	6-10500	10500	4763	1.00	25	10500	190.52	Black*	83/4 222	191/2 495	161/2 419	81/8 206
	6-12600	12600	5715	1.00	25	12600	228.60	Yellow*				
	9-15750	15750	7144	1.00	25	15750	285.76	Black*	9 229	181/2 470	13 330	101/2 267
	9-18900	18900	8572	1.00	25	18900	342.88	Yellow*				
	9-21465	21465	9736	1.00	25	21465	389.44	Yellow**				
	9-23850	23850	10818	1.00	25	23850	432.72	Red*				
12-19500	19500	8845	1.00	25	19500	353.80	Black*	Check with Factory				
12-23700	23700	10750	1.00	25	23700	430.00	Yellow*					
12-26550	26550	12043	1.00	25	26550	481.72	Yellow**					
16-28000	28000	12701	1.00	25	28000	508.04	Black*	Check with Factory				
16-33600	33600	15241	1.00	25	33600	609.64	Yellow*					
16-38160	38160	17309	1.00	25	38160	692.36	Yellow**					
16-42400	42400	19232	1.00	25	42400	769.28	Red*					
16-46960	46960	21301	1.00	25	46960	852.04	Red**					

*with RED inner spring **with GREEN inner spring

SPRING ONLY	
OD	Free Ht
27/8	73
41/8	105

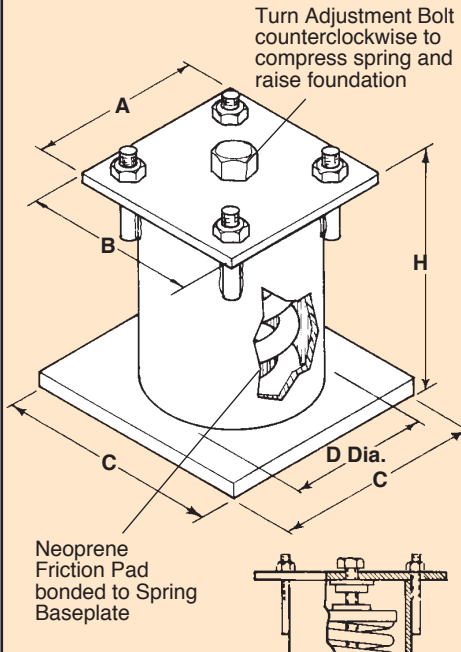


KI 1" 25mm Deflection Top Access Concrete Inserted Spring Mounts

Type KI Ratings & Dimensions For 1" 25mm Deflection Single Spring Mounts (in mm)

Type	Size	Rated Capacity		Rated Defl		Mount Constant		Spring Color	MOUNT				
		(lbs)	(kg)	(in)	(mm)	(lbs/in)	(kg/cm)		A	B	C	D	H
KI-	B-115	115	52	2.00	51	57	1.02	Silver	61/2	41/2	7	41/2	6
	B-150	150	68	2.00	51	75	1.33	Orange					
	B-280	280	127	1.60	41	174	3.10	Green					
	B-450	450	204	1.31	33	344	6.18	Red					
	B-750	750	340	1.12	28	670	12.14	White					
	B-1000	1000	454	1.00	25	1000	18.16	Blue					
	C-1000	1000	454	1.00	25	1000	18.16	Black	61/2	41/2	7	41/2	6
	C-1350	1350	612	1.00	25	1350	24.48	Yellow					
	C-1750	1750	794	1.00	25	1750	31.76	Black*					
	C-2100	2100	953	1.00	25	2100	38.12	Yellow*					
	C-2385	2385	1082	1.00	25	2385	43.28	Yellow**					
	C-2650	2650	1202	1.00	25	2650	48.08	Red*					
	C-2935	2935	1331	1.00	25	2935	53.24	Red**					
	5-3400	3400	1542	1.25	32	2720	48.19	Blue	8	6	7 1/2	5 1/2	12
	6-6200	6200	2812	1.25	32	4975	87.87	Blue	9 1/2	7	9	6 5/8	12
6-8400	8400	3810	1.25	32	7300	119.06	Blue	241	178	229	168	305	
8-12500	12500	5669	1.25	32	10000	177.16	Blue	9	9	11	8 5/8	12	
8-16000	16000	7257	1.25	32	12800	226.78	Blue†	229	229	279	219	305	
10-20000	20000	9072	1.25	32	17400	283.50	Blue†	11	11	13	12 3/4	12	
10-25000	25000	11340	1.25	32	19900	354.38	Blue†	279	279	330	324	305	
12-30000	30000	13608	1.25	32	24650	425.25	Blue†	13	13	15	12 3/4	12	
								330	330	381	324	305	

*with RED inner spring **with GREEN inner spring †with inner spring

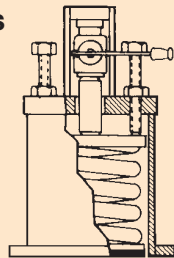
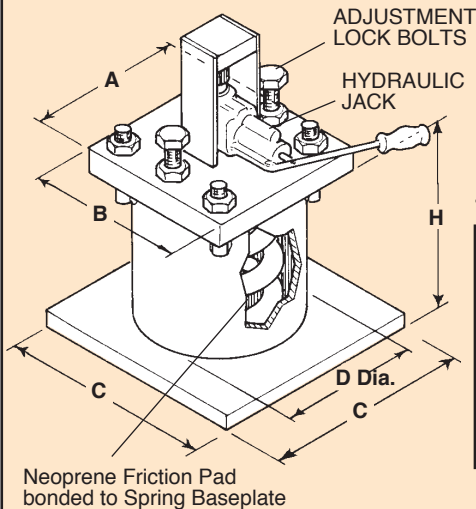


KIJ 1" 25mm Deflection Top Access Concrete Inserted Spring Mounts

Type KIJ Ratings & Dimensions For 1" 25mm Deflection Single Spring Mounts (in mm)

Type	Size	Rated Capacity		Rated Defl		Mount Constant		Spring Color	MOUNT				
		(lbs)	(kg)	(in)	(mm)	(lbs/in)	(kg/cm)		A	B	C	D	H
KIJ	8-12500	12500	5669	1.25	32	10000	177.16	Blue	9	9	11	8 5/8	12
	8-16000	16000	7257	1.25	32	12800	226.78	Blue†	229	229	279	219	305
	10-20000	20000	9072	1.25	32	17400	283.50	Blue†	11	11	13	12 3/4	12
	10-25000	25000	11340	1.25	32	19900	321.88	Blue†	279	279	330	324	305
	12-30000	30000	13608	1.25	32	24650	425.25	Blue†	13	13	15	12 3/4	12
									330	330	381	324	305

†with inner spring



All springs have additional travel to solid equal to 50% of the rated deflection.
Solid Spring Height = Free Height minus 1.5 times Rated Deflection.

SPRING ONLY			
OD (in)	OD (mm)	Free Height (in)	Free Height (mm)
23/8	60	4	102
27/8	73	4 1/8	105
33/4	95	8	203
43/4	121	9	229
63/4	171	9	229
81/2	216	9	229
83/4	222	10	254
10 1/2	267	9	229

KI & KIJ INSTALLATION INSTRUCTIONS

Place two layers of waterproof paper over entire area of sub-base where foundation is to be poured.

Set mounts (mounts are shipped complete and ready for installation) within the formwork, in positions as shown on the layout drawings. Place reinforcing rods close to the mount housings and locate equipment anchor bolts. Pour concrete.

For KI Mounts

After equipment is in place, raise foundation to operating height by taking equal number of counter-clockwise turns on each adjustment bolt. Leveling is accomplished by taking additional turns on low side of foundation.

For KIJ Mounts

Depress spring with hydraulic jack and series of gauge pins supplied for each job. Hold adjustment spring in position with adjustment bolts.

Minimum Dimensions (in mm)

Type	Size	E	F	G
KI-	B&C 41/2	114	9	229
	5	6	152	10
	6	61/2	158	12
	8	71/2	191	12
	10	91/2	241	13
	12	91/2	241	15
KIJ-	8	71/2	191	12
	10	91/2	241	13
	12	91/2	241	15

SPRING ONLY			
OD (in)	OD (mm)	Free Height (in)	Free Height (mm)
61/4	60	9	229
81/2	216	9	229
83/4	222	10	254
10 1/2	267	9	229

